



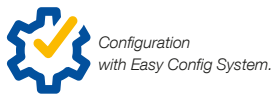
Multi-circuit metering & measurement

DIRIS Digiware S

Current acquisition module with integrated sensors



DIRIS Digiware S



Configuration with Easy Config System.

Function

DIRIS Digiware S current acquisition modules have 3 integrated current sensors for the measurement of electrical circuits up to 63 A.

Positioned directly above or below the protective devices, they are associated with the DIRIS Digiware U voltage measurement module to measure consumption, and to monitor the electrical installation and the quality of the power supply.

Advantages

Plug & Play

- Save wiring time: the current sensors are integrated in the module.
- Quick RJ45 connection between modules.
- Positioning possible upstream or downstream of the protective device.

Multi-circuit

Multiple DIRIS Digiware S modules can be used within the measurement system enabling the monitoring of a large number of loads.

Compact

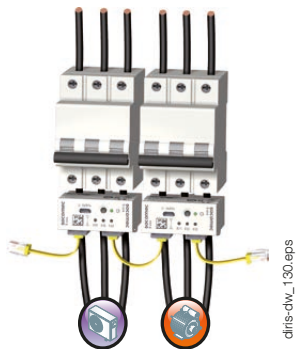
- A measurement module offering the best compactness/performance ratio of the market.
- Matches the pitch of the protective device.

Accurate

- Class 0.5 for active energy in accordance with the IEC 61557-12 standard, allowing accurate measurements over a wide range of currents.

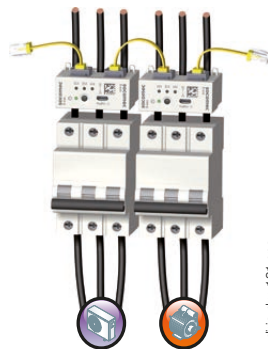
Functional diagram

Downstream



diris-dw_130.eps

Upstream



diris-dw_131.eps

The DIRIS Digiware S measurement module can be mounted upstream or downstream of the protective device solving issues of space constraints.

The solution for

Distribution boards in:

- > Data center
- > Building
- > Industry



Strong points

- > Plug & Play
- > Multi-circuit
- > Compact



RJ45 (Digiware Bus) cables are available.

Integrated technologies



PreciSense



AutoCorrect



VirtualMonitor

For more information see our website www.socomec.com

Compliance with standards

- > IEC 61557-12






- > ISO 14025



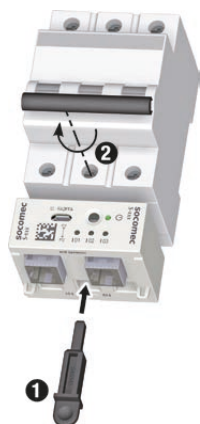
- > UL 257746



| Application | Current measurement module with integrated sensors | | |
|--|---|--|---|
| | Metering | Analysis | Monitoring |
| |  |  |  |
| DIRIS Digiware S | S-130 | S-135 | S-Datacenter |
| Number of current inputs | 3 | 3 | 3 |
| Basic current I_b | 10 A | 10 A | 10 A |
| Maximum current I_{max} | 63 A | 63 A | 63 A |
| Load type accepted | 1P + N 2P / 2P + N 3P / 3P + N | 1P + N 2P / 2P + N 3P / 3P + N | 1P + N |
| Metering | | | |
| \pm kWh, \pm kvarh, kVAh | • | • | • |
| Multi-tariff (max 8) | | • | |
| Load curves | | • | • |
| Multi-measurement | | | |
| $I_1, I_2, I_3, I_n, \Sigma P, \Sigma Q, \Sigma S, \Sigma PF$ | • | • | • |
| P, Q, S, PF per phase | | • | • |
| Predictive power | | • | |
| Current unbalance ($I_{nba}, I_{nb}, I_{dir}, I_{inv}, I_{hom}$) | | • | |
| Phi, cos Phi, tan Phi | | • | • |
| Quality | | | |
| THDi1, THDi2, THDi3, THDin | | • | • |
| Individual harmonics I (up to 63rd) | | • | |
| Crest factors U, V, I | | • | |
| K factor | | • | |
| Overcurrents | | • | |
| Alarms | | | |
| Thresholds and combinations | | • | • |
| Load level | | | • |
| Wiring errors | | • | • |
| Protective device | | • | • |
| Trends | | | |
| Average values | | • | • |
| Format | | | |
| Width | 54 mm | 54 mm | 54 mm |

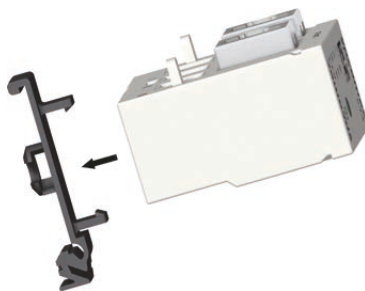
Mounting accessories

Temporary MCB insert
(for use during panel assembly)



diris-dw_137_a.eps

DIN rail and back plate mounting



diris-dw_138_a.eps

Cable tie tether

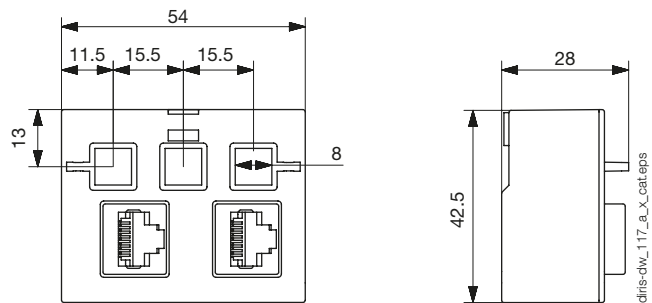


diris-dw_139_a.eps

DIRIS Digiware S

Current acquisition module with integrated sensors

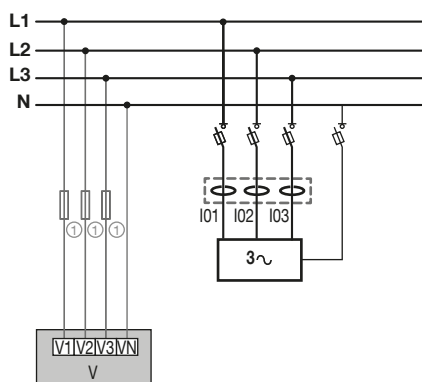
Dimensions (mm)



Connections

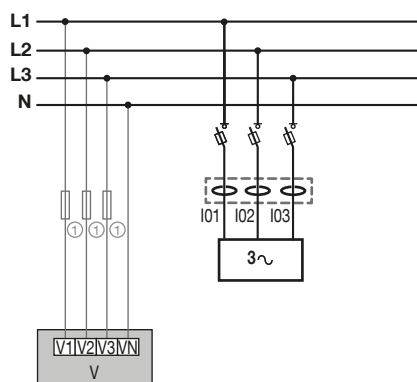
Current is measured by the integrated inputs I01, I02 and I03 on the DIRIS Digiware S module.

3P+N - 3CT

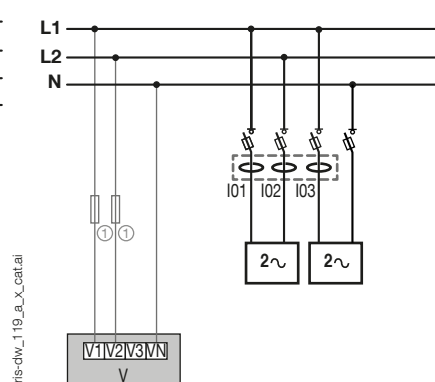


diris-dw_118_a_x_cat.ai

3P - 3CT

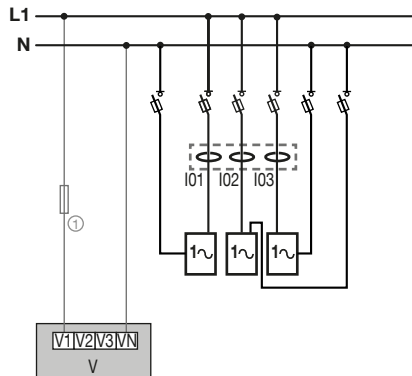


2P+N - 2CT & 2P+N - 1CT



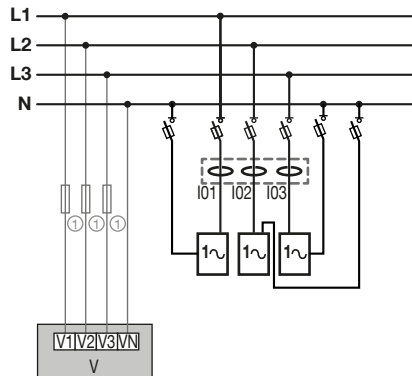
diris-dw_120_a_x_cat.ai

1P+N - 1CT (3x)

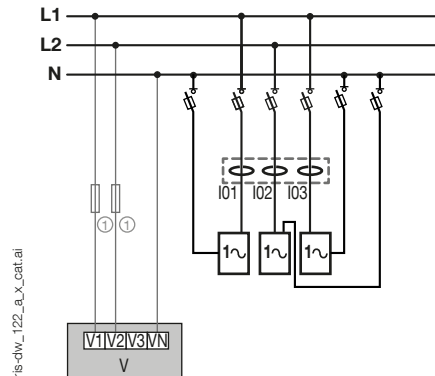


diris-dw_121_a_x_cat.ai

3P+N - 1CT (3x)



2P+N - 1CT (3x)



diris-dw_123_a_x_cat.ai

DIRIS Digiware S Load

Fuses: 0.5 A gG/BS 88 2 A gG/0.5 A class CC

Technical characteristics

Measurement characteristics

| Measurement of current | |
|----------------------------------|---------------------------|
| Number of current inputs | 3 |
| Associated current sensors | Integrated in the product |
| Basic current I _b | 10 A |
| Maximum current I _{max} | 63 A |
| Current measurement accuracy | Class 0.5 IEC 61557-12 |
| Measurement of energy | |
| Accuracy of active energy | Class 0.5 IEC 61557-12 |
| Accuracy of reactive energy | Class 1 IEC 61557-12 |

Mechanical characteristics

| | |
|--------------------------|---------------------------------|
| Casing type | DIN rail or back plate mounting |
| Casing protection index | IP20/IK08 |
| Weight | 63 g |
| Module power consumption | 0.35 VA |

Communication specifications

| Digiware BUS | |
|--------------|---|
| Function | Connection between DIRIS Digiware S, U, I modules and system interfaces |
| Cable type | Specific Socomec cable with RJ45 connections |
| USB | |
| Protocol | MODBUS RTU on USB |
| Function | Configuration of DIRIS Digiware modules |
| Location | On each DIRIS Digiware module |
| Connection | Type B micro USB connector |

Environmental specifications

| | |
|-------------------------------|---------------|
| Ambient operating temperature | -10 ... +55°C |
| Storage temperature | -25 ... +70°C |
| Operating humidity | 40°C/95% RH |
| Operating altitude | < 2000 m |

References

| DIRIS Digiware S | | Reference |
|---|---|-----------|
| S-130 | Metering - 3 integrated current inputs | 4829 0160 |
| S-135 | Analysis - 3 integrated current inputs | 4829 0161 |
| S-Datacenter | Single-phase monitoring - 3 integrated current inputs | 4829 0162 |
| Accessories | | Reference |
| DIN rail and back plate mounting clip (x10) | | 4829 0195 |
| Temporary MCB insert (x10) | | 4829 0196 |

| Digiware connection cables | | Reference |
|---|------------------------------|-----------|
| RJ45 cables for Digiware Bus | Length 0.06 m ⁽¹⁾ | 4829 0189 |
| | Length 0.10 m | 4829 0181 |
| | Length 0.20 m | 4829 0188 |
| | Length 0.50 m | 4829 0182 |
| | Length 1 m | 4829 0183 |
| | Length 2 m | 4829 0184 |
| | Length 3 m | 4829 0190 |
| | Length 5 m | 4829 0186 |
| | Length 10 m | 4829 0187 |
| | 50 m reel + 100 connectors | 4829 0185 |
| Termination for Digiware Bus (supplied with interfaces C and D) | | 4829 0180 |
| USB configuration cable | | 4829 0050 |

(1) The RJ45 6 cm cables can be used on 3-pole or 4-pole protective devices.

Expert Services

Require integration onto your network?

No problem for our "Expert Services" team. They will fully integrate all your SOCOMEC devices, **audit** your system, **commission** selected equipment and **train** your staff on its use.

For further information, please contact your nearest SOCOMEC branch.