



Air conditioner

Thermal regulation



Front-mounted air conditioner



Roof-mounted air conditioner

The solution for

- > Automation equipment
- > Electrical distribution



Strong points

- > TÜV - IP54

Conformity to standards

- > EN 60204-1
- > DIN 3168

Available on request

- > Alarm using thermostat
- > Alarm for obstructed filter
- > Semiflush assembling frame
- > Other colours
- > Customised dimensions
- > Stainless steel enclosure
- > Specific cooling powers
- > Specific voltages and frequencies

Function

SOCOMEK air conditioners ensure the proper air cooling inside the cabinet, in premises with temperatures up to 50 °C.

General characteristics

- Cooling fluid R134A without CFC.
 - Sheet metal enclosure - colour RAL7035.
 - Fan mounted on foam tape with built-in thermal protection.
 - Metallic filter on the inlet of the external air circuit.
 - Low maintenance system from 500 W as filter maintenance is not required.
 - Condensation evaporation device from 500 W on.
 - Safety pressure controller on air conditioner from 1400 W.
 - Regulation by thermostat pre-set at 35 °C.
 - Separation of inlet and outlet air circuits.
- **Range**
 - 5 models from 330 to 2700 W.

Standard equipment

- Self adhesive seal.
- Assembling and maintenance user's guide.
- Drilling template.
- 3 meter power supply cable.

References

Cooling capacity L35 L35 (W) ⁽¹⁾	Front-mounted air conditioner Reference	Roof-mounted air conditioner Reference
330	5198 2030	5199 1030
500	5198 2050	5199 1050
1400	5198 2140	5199 1140
2000	5198 2170	5199 1200
2700	5198 2270	5199 1270

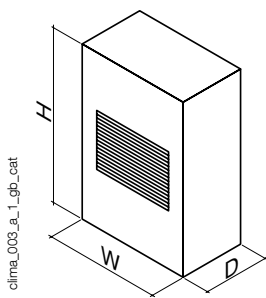
(1) Other configurations: Please consult us.

Characteristics

Cooling capacity L35 L35 (W) ⁽¹⁾	330	500	1400	2000	2700
Cooling capacity L35 L50 (W)	270	410	1170	1700	2300
Absorbed power L35 L50 (W)	240	410	860	1200	1570
Min. temperature of enclosure (°C)	25	25	25	25	25
Max. temperature of enclosure (°C)	45	45	45	45	45
Min. ambient temperature (°C)	20	20	20	20	20
Max. ambient temperature (°C)	55	55	55	55	55
Protection degree	IP54	IP54	IP54	IP54	IP54
Power supply voltage (VAC)	230	230	230	230	230
Power supply frequency (Hz)	50 / 60 Hz	50 / 60 Hz	50 / 60 Hz	50 / 60 Hz	50 / 60 Hz

(1) Other configurations: Please consult us.

Dimensions



Cooling capacity L35 L35 (W)	Type	H (mm)	W (mm)	D (mm)	Weight (kg)	Figure
330	Roof-mounted	180	476	324	17	fig. 1
500	Roof-mounted	335	600	325	29.5	fig. 2
1400	Roof-mounted	450	600	415	48	fig. 3
2000	Roof-mounted	450	600	415	51.5	fig. 3
2700	Roof-mounted	480	800	465	74.5	fig. 4
330	Front-mounted	443	324	206	17	fig. 5
500	Front-mounted	642	313	223	23	fig. 6
1400	Front-mounted	912	410	248	46	fig. 7
2000	Front-mounted	1005	409	263	48	fig. 8
2700	Front-mounted	1217	511	347	75	fig. 9

Fig. 1

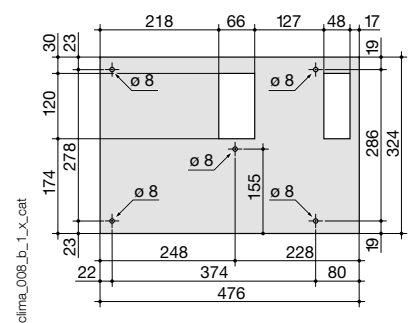


Fig. 2

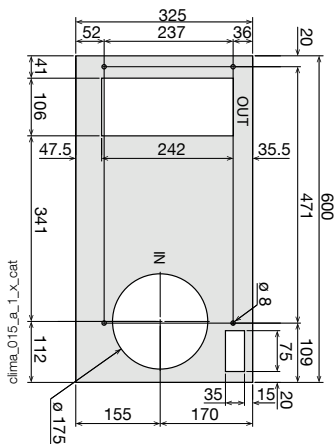


Fig. 3

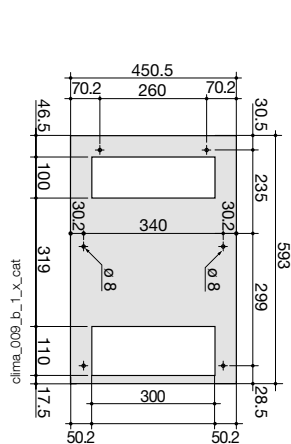


Fig. 4

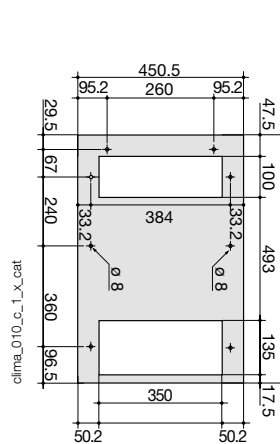


Fig. 5

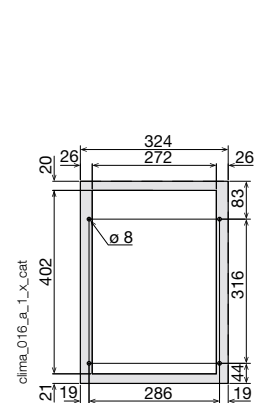


Fig. 6

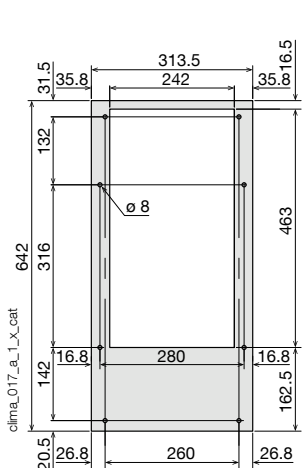


Fig. 7

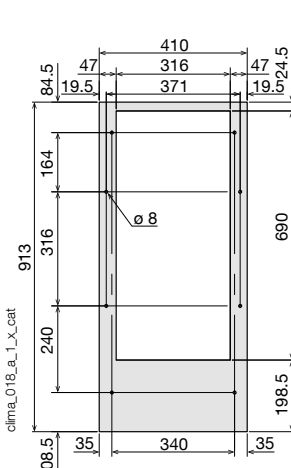


Fig. 8

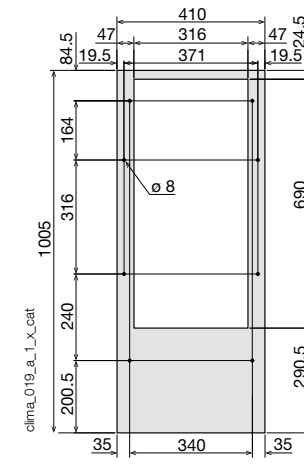


Fig. 9

