



# ATyS UL1008

Remotely operated transfer switching equipment  
from 100 to 1200 A

Transfer switches



atys-ul1008\_a\_1\_cat

## The solution for

- > Commercial
- > Light Industry
- > Residential applications



## Strong points

- > Robust and reliable design
- > Compatible with virtually any ATS controller
- > On-load manual operation
- > Maintenance free

## Conformity to standards

- > UL 1008, Guide WPYV, file 317092



Product reference on request.

## Your choice of ATS controls

- > Your preferred brand of ATS controller, genset/AMF controller or power/building management system, may easily be paired with the ATyS to provide a complete automatic transfer switch that perfectly suits your needs.

## Function

**ATyS non-automatic transfer switches** are designed for use in total system optional standby applications for the safe transfer between a normal and an alternate power source.

The changeover is done in open transition and with minimum supply interruption during transfer ensuring full compliance with UL 1008 and IEC 60947-6-1. The ATyS is a full on-load disconnecter where the main components are based on proven technology also meeting requirements in UL 98 and IEC 60947-3 standards.

## Advantages

### Robust and Reliable design

ATyS is a remotely operated transfer switch tested in full compliance with UL 1008. The design integrates a failsafe mechanical interlock to ensure that the main source is never inadvertently connected to the alternate. The stable position design ensures that the switch is unaffected by vibration or network voltage perturbation. The ATyS also includes a removable handle for on load manual operation. This is extremely safe and easy to use. The ATyS also includes a fully rated switched neutral pole.

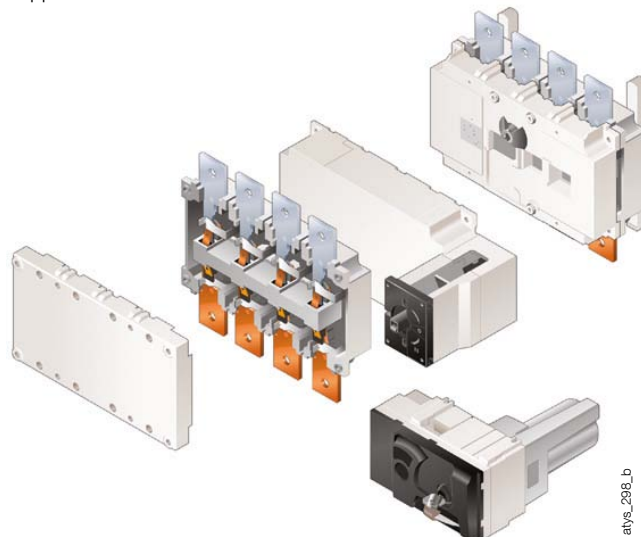
### Maintenance free

The self-cleaning contacts of the ATyS allow the power section to be maintenance free. For safe downstream maintenance the ATyS includes a facility for isolation and padlocking in the zero position.

In the unlikely event of a motorisation failure, the ATyS is designed in a way that the motorisation can be replaced easily and very quickly. Furthermore, the ATyS remains manually operational with or without the motorisation in place.

### Compatible with virtually any ATS controls

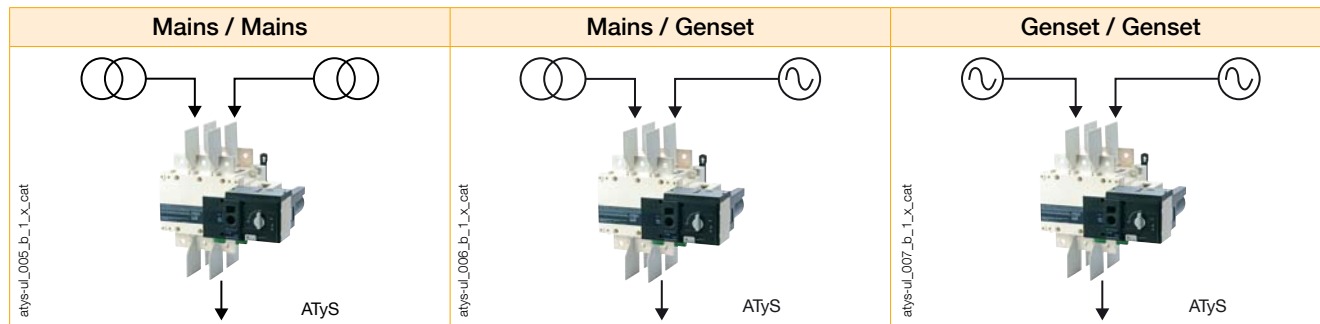
The ATyS is directly compatible with virtually any transfer switching control solution that provides volt free contacts. This allows the ATyS to be combined with most ATS controls available on the market and then used in automatic transfer switch applications.



atys\_2308\_b

## Typical applications

The ATyS UL 1008 range provides safe transfer for mains/mains, mains/genset and genset/genset applications.



## Part of a globally recognised range

The ATyS UL 1008 is part of a large family of products including a complete range of remotely operated and fully automatic transfer switches that comply to IEC and GB standards.

The ATyS range is a world renowned product family trusted by some of the largest manufacturers in the genset industry.

The key to success has been through reliable power availability provided by products that are safe and easy to use.

| ATyS r   | ATyS d   | ATyS t   | ATyS g   | ATyS p   |
|--|--|--|--|--|
| <ul style="list-style-type: none"> <li>UL</li> <li>IEC</li> <li>CCC</li> </ul> | <ul style="list-style-type: none"> <li>IEC</li> <li>CCC</li> </ul> | <ul style="list-style-type: none"> <li>IEC</li> <li>CCC</li> </ul> | <ul style="list-style-type: none"> <li>IEC</li> <li>CCC</li> </ul> | <ul style="list-style-type: none"> <li>IEC</li> <li>CCC</li> </ul> |
| Remote Transfer Switch   | Remote Transfer Switching (RTS)                                    | Automatic Transfer Switching (ATS)                                 | Automatic Transfer Switching (ATS)                                 | Automatic Transfer Switching (ATS)                                 |
| Remote Transfer Switch   | Dual power supply  | Automatic controller to manage mains/mains applications            | Automatic controller to manage mains/genset applications           | Functions for energy management<br>Communication options           |

WEB SERVER OPTION

Please don't hesitate to contact SOCOMEC with any questions regarding the IEC ATyS range of products above rated from 125 to 3200 A.

# ATyS UL1008

Remotely operated transfer switching equipment  
from 100 to 1200 A

## References

### ATYS UL 1008

| Rating (A) | Frame size | No. of poles | ATyS             | Bridging bars                  | Terminal screens                   | Auxiliary contact              | Lug kits                                     |
|------------|------------|--------------|------------------|--------------------------------|------------------------------------|--------------------------------|--|
| 100 A      | B4         | 2 P          | 9723 <b>2010</b> | 2 P<br>4159 <b>2021</b><br>3 P | 2 / 3 P<br>4158 <b>3021</b><br>4 P | NO/NC<br>4159 <b>0021</b>      | 2 P<br>3954 <b>2020<sup>(1)</sup></b><br>3 P |
|            |            | 3 P          | 9723 <b>3010</b> |                                |                                    |                                |  |
|            |            | 4 P          | 9723 <b>4010</b> |                                |                                    |                                |  |
| 200 A      |            | 2 P          | 9723 <b>2020</b> | 4159 <b>3021</b><br>4 P        | 4158 <b>4021</b>                   |                                | 3954 <b>3020<sup>(1)</sup></b><br>4 P        |
|            |            | 3 P          | 9723 <b>3020</b> |                                |                                    |                                |  |
|            |            | 4 P          | 9723 <b>4020</b> |                                |                                    |                                |  |
| 260 A      | B5         | 2 P          | 9723 <b>2026</b> | 2 P<br>4159 <b>2041</b><br>3 P | 2 / 3 P<br>4158 <b>3041</b><br>4 P | Low level<br>4159 <b>0022</b>  | 2 P<br>3954 <b>2040<sup>(1)</sup></b><br>3 P |
|            |            | 3 P          | 9723 <b>3026</b> |                                |                                    |                                |  |
|            |            | 4 P          | 9723 <b>4026</b> |                                |                                    |                                |  |
| 400 A      |            | 2 P          | 9723 <b>2040</b> | 4159 <b>3041</b><br>4 P        | 4158 <b>4041</b>                   |                                | 3954 <b>3040<sup>(1)</sup></b><br>4 P        |
|            |            | 3 P          | 9723 <b>3040</b> |                                |                                    |                                |  |
|            |            | 4 P          | 9723 <b>4040</b> |                                |                                    |                                |  |
| 600 A      | B6         | 3 P          | 9723 <b>3060</b> | 4159 <b>3063</b>               | 1609 <b>3063</b>                   | Contact NO/NC<br>as Standard   | 3954 <b>3060<sup>(3)</sup></b>               |
|            |            | 4 P          | 9723 <b>4060</b> | 4159 <b>4063</b>               | 1609 <b>4063</b>                   |                                | 3954 <b>4060<sup>(3)</sup></b>               |
| 800 A      |            | 3 P          | 9723 <b>3080</b> | 3 P<br>4159 <b>3080</b><br>4 P | 3 P<br>1609 <b>3080</b><br>4 P     |                                | 3954 <b>3120<sup>(4)</sup></b><br>4 P        |
|            |            | 4 P          | 9723 <b>4080</b> |                                |                                    |                                |  |
| 1200 A     | B7         | 3 P          | 9723 <b>3120</b> | 4159 <b>4080</b>               | 1609 <b>4080</b>                   | 3954 <b>4120<sup>(4)</sup></b> |  |
|            |            | 4 P          | 9723 <b>4120</b> |                                |                                    |                                |  |

(1) 1x #6-300MCM.

(2) 1x #4-600MCM

(3) 2x(#2-600MCM)

(4) 2x 2x(#2-600MCM)

## Accessories

### Terminal screens

| Rating (A)   | No. of poles | Reference        |
|--------------|--------------|------------------|
| 100 ... 200  | 2 / 3 P      | 4158 <b>3021</b> |
| 100 ... 200  | 4 P          | 4158 <b>4021</b> |
| 260 ... 400  | 2 / 3 P      | 4158 <b>3041</b> |
| 260 ... 400  | 4 P          | 4158 <b>4041</b> |
| 600          | 6 P          | 1609 <b>3063</b> |
| 600          | 4 P          | 1609 <b>4063</b> |
| 800 ... 1200 | 3 P          | 1609 <b>3080</b> |
| 800 ... 1200 | 4 P          | 1609 <b>4080</b> |

#### Use

Top and bottom protection against direct contact with terminals or connecting parts.



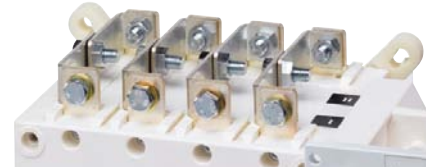
access\_207\_a\_2\_cat

### Bridging bars

| Rating (A)   | No. bridging bar | Reference        |
|--------------|------------------|------------------|
| 100 ... 200  | 2                | 4159 <b>2021</b> |
| 100 ... 200  | 3                | 4159 <b>3021</b> |
| 100 ... 200  | 4                | 4159 <b>4021</b> |
| 260 ... 400  | 2                | 4159 <b>2041</b> |
| 260 ... 400  | 3                | 4159 <b>3041</b> |
| 260 ... 400  | 4                | 4159 <b>4041</b> |
| 600          | 3                | 4159 <b>3063</b> |
| 600          | 4                | 4159 <b>4063</b> |
| 800 ... 1200 | 3                | 4159 <b>3080</b> |
| 800 ... 1200 | 4                | 4159 <b>4080</b> |

#### Use

For bridging power terminals on the top or bottom side of the switch. When ordering one reference is required per switch.



access\_205\_a\_2\_cat

### Auxiliary contacts

#### Use

Pre-break and signalling of positions I and II: each reference provides 1 NO/NC auxiliary contact for positions I and II. ATyS are supplied with 1 NO auxiliary contact for all three positions as standard.

| Rating (A)   | Contact (s)                         | Reference        |
|--------------|-------------------------------------|------------------|
| 100 ... 400  | NO/NC on position 1 and 2           | 4159 <b>0021</b> |
| 100 ... 400  | Low level NO/NC on position 1 and 2 | 4159 <b>0022</b> |
| 600 ... 1200 | NO/NC on position 1 and 2           | as standard      |



access\_065\_a\_1\_cat



access\_065\_a\_1\_cat

A maximum of 2 Aux contacts per position may be added.

### Terminal lugs

#### Use

Connection of bare copper cables onto the terminals (without lugs).

| Rating (A)                  | Wires range        | No wires per lug | Lugs per kit | Wires   | Reference        |
|-----------------------------|--------------------|------------------|--------------|---------|------------------|
| 100 ... 200                 | 6 - 300MCM         | 1                | 2            | Cu / Al | 3954 <b>2020</b> |
| 100 ... 200                 | 6 - 300MCM         | 1                | 3            | Cu / Al | 3954 <b>3020</b> |
| 100 ... 200                 | 6 - 300MCM         | 1                | 4            | Cu / Al | 3954 <b>4020</b> |
| 260 ... 400                 | 4 - 600MCM         | 1                | 2            | Cu / Al | 3954 <b>2040</b> |
| 260 ... 400                 | 4 - 600MCM         | 1                | 3            | Cu / Al | 3954 <b>3040</b> |
| 260 ... 400                 | 4 - 600MCM         | 1                | 4            | Cu / Al | 3954 <b>4040</b> |
| 600                         | 2x (#2 - 600MCM)   | 2                | 3            | Cu / Al | 3954 <b>3060</b> |
| 600                         | 2x (#2 - 600MCM)   | 2                | 4            | Cu / Al | 3954 <b>4060</b> |
| 800 ... 1200 <sup>(1)</sup> | 2x 2x(#2 - 600MCM) | 2                | 6            | Cu / Al | 3954 <b>3120</b> |
| 800 ... 1200 <sup>(1)</sup> | 2x 2x(#2 - 600MCM) | 2                | 8            | Cu / Al | 3954 <b>4120</b> |



ul\_032\_a

(1) To be used to connect 4 wires on one terminal. In such a case, 2 lugs are placed side-by-side on one terminal. Please refer to dimensions diagram

# ATyS UL1008

Remotely operated transfer switching equipment  
from 100 to 1200 A

## Spares

### Motorisation module

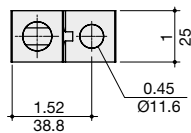
| Rating (A) | No. of poles | Frame size | Used for ATyS reference           | Motorisation module References |
|------------|--------------|------------|-----------------------------------|--------------------------------|
| 100        | 2 / 3 / 4 P  | B4         | 9723 2010 - 9723 3010 - 9723 4010 | 9709 5010                      |
| 200        | 2 / 3 / 4 P  |            | 9723 2020 - 9723 3020 - 9723 4020 | 9709 5020                      |
| 260        | 2 / 3 / 4 P  | B5         | 9723 2026 - 9723 3026 - 9723 4026 | 9709 5026                      |
| 400        | 2 / 3 / 4 P  |            | 9723 2040 - 9723 3040 - 9723 4040 | 9709 5040                      |
| 600        | 3 / 4 P      | B6         | 9723 3060 - 9723 4060             | 9709 5060                      |
| 800        | 3 / 4 P      | B7         | 9723 3080 - 9723 4080             | 9709 5080                      |
| 1200       | 3 / 4 P      |            | 9723 3120 - 9723 4120             | 9709 5120                      |



atys\_b71\_a\_1\_cat.eps

### Terminal lugs (in/mm)

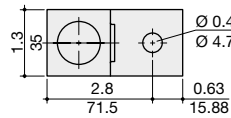
#### 100 and 200 A / B4



300 kcmil

siroco\_115\_b\_1\_us\_cat

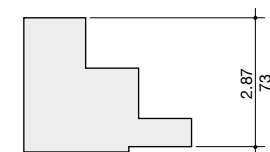
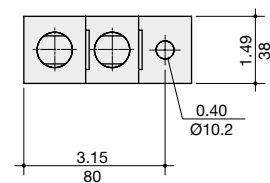
#### 260 and 400 A / B5



600 kcmil

siroco-ul\_010\_a\_1\_us\_cat

#### 600 to 1200 A / B6 - B7



2 x 600 kcmil

siroco\_116\_b\_1\_us\_cat

### Mounting orientation

#### 100 to 400 A / B4 - B5

|             |    |             |    |
|-------------|----|-------------|----|
|             |    |             |    |
| Recommended | OK | Not Allowed | OK |

atys-ul\_013 ... 014\_a\_1\_x\_cat

#### 600 to 1200 A / B6 - B7

|             |             |    |    |
|-------------|-------------|----|----|
|             |             |    |    |
| Recommended | Not Allowed | OK | OK |

atys-ul\_013 ... 014\_a\_1\_x\_cat

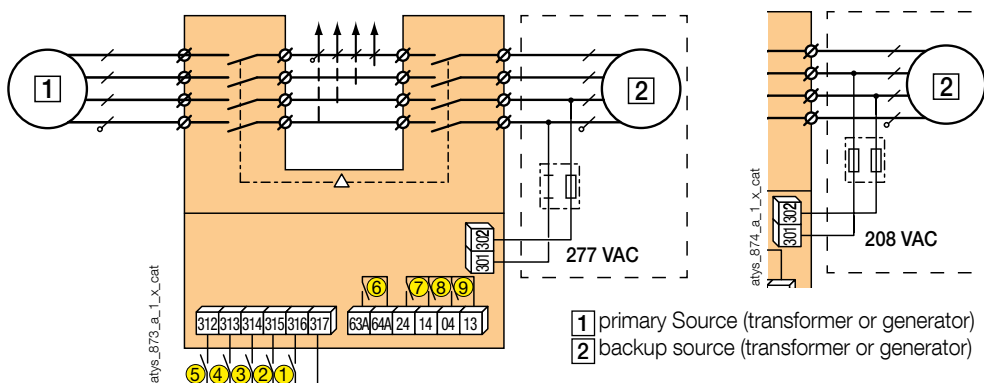
## Characteristics

### Characteristics according to UL 1008 (Optional standby)

| General use rating (A)  | 100 A       | 200 A   | 260 A               | 400 A               | 600 A     | 800 A     | 1200 A     |
|---|-------------|---------|---------------------|---------------------|-----------|-----------|------------|
| <b>Frame size</b>   | <b>B4</b>   |         | <b>B5</b>           |                     | <b>B6</b> | <b>B7</b> |            |
| Operation voltage 2 P - 3/4 P   | 240/600     | 240/600 | 240/600             | 240/600             | -/600     | -/600     | -/600      |
| <b>Short circuit rating at 600 VAC with fuses (kA)</b>                      |             |         |                     |                     |           |           |            |
| Short circuit rating at 600 VAC (kA)  | 100         | 100     | 100                 | 100                 | 100       | 100       | 100        |
| Type of fuse  | J           | J       | J                   | J                   | L         | L         | L          |
| <b>Short circuit rating at 600 VAC with "Specific Circuit Breaker" (kA)</b> |             |         |                     |                     |           |           |            |
| Square D JJ breaker 250 A - 2 P 240 VAC - 3/4 P 480 VAC                     | 65          | 65      | -                   | -                   | -         | -         | -          |
| Schneider Electric NSX-F 160 A - 3/4 P 480 VAC                              | 35          | -       | -                   | -                   | -         | -         | -          |
| <b>Short circuit rating at 600 VAC with "Any Breaker" (kA)</b>              |             |         |                     |                     |           |           |            |
| Short circuit rating (kA)   | 10          | 10      | 14                  | 14                  | 35        | 35        | 35         |
| Short circuit capacity (ms)   | 25          | 25      | 50                  | 50                  | 50        | 50        | 50         |
| <b>Rated operational current</b>  |             |         |                     |                     |           |           |            |
| 240 VAC "Total System" (A)  | 100         | 200     | 260                 | 400                 | 400       | 700       | 700        |
| 240 VAC resistive load (A)  | 100         | 200     | 260                 | 400                 | 600       | 800       | 1200       |
| 480 VAC "Total System" (A)  | 100         | 100     | 260                 | 400                 | 350       | 600       | 600        |
| 480 VAC resistive load (A)  | 100         | 200     | 260                 | 400                 | 600       | 800       | 1200       |
| 600 VAC "Total System" (A)  | 100         | 100     | 200                 | 200                 | -         | -         | -          |
| 600 VAC resistive load (A)  | 100         | 200     | 260                 | 400                 | 600       | 800       | 1200       |
| <b>Mechanical endurance</b>   |             |         |                     |                     |           |           |            |
| Endurance (number of operating cycles)                                      | 6050        | 6050    | 6050                | 4050                | 3050      | 3050      | 3050       |
| <b>Connection terminals</b>   |             |         |                     |                     |           |           |            |
| Min. connection section / AWG   | #6          | #6      | #4 / 2 X 1 / 0      | #4 / 2 X 1 / 0      | 2 x #2    | 2 x #2    | 4 x #2     |
| Max. connection section / AWG   | 300MCM      | 300MCM  | 600MCM / 2 X 250MCM | 600MCM / 2 X 250MCM | 2x 600MCM | 2x 600MCM | 4 x 600MCM |
| <b>Power supply</b>   |             |         |                     |                     |           |           |            |
| Supply voltage VAC 50/60 Hz   | 208-277 VAC |         |                     |                     |           |           |            |
| <b>Switching time</b>   |             |         |                     |                     |           |           |            |
| I - II or II - I (s)  | 1.3         |         |                     |                     | 3.2       |           |            |
| I - 0 or 0 - II (s)   | 0.85        |         |                     |                     | 1.8       |           |            |
| Duration of electrical blackout (s)   | 0.6         |         |                     |                     | 1.6       |           |            |

## Terminals and connections

### Typical wiring for 277/480 VAC and 120/208 VAC networks



- 1: position 0 order input (contactor logic if closed)
- 2: position I order input
- 3: position II order input
- 4: position 0 priority order input
- 5: Input to enable or disable inputs 1 to 4

- 6: product availability relay, (watchdog)
- 7: auxiliary contact, closed when the switch is in position II
- 8: auxiliary contact, closed when the switch is in position I
- 9: auxiliary contact, closed when the switch is in position 0

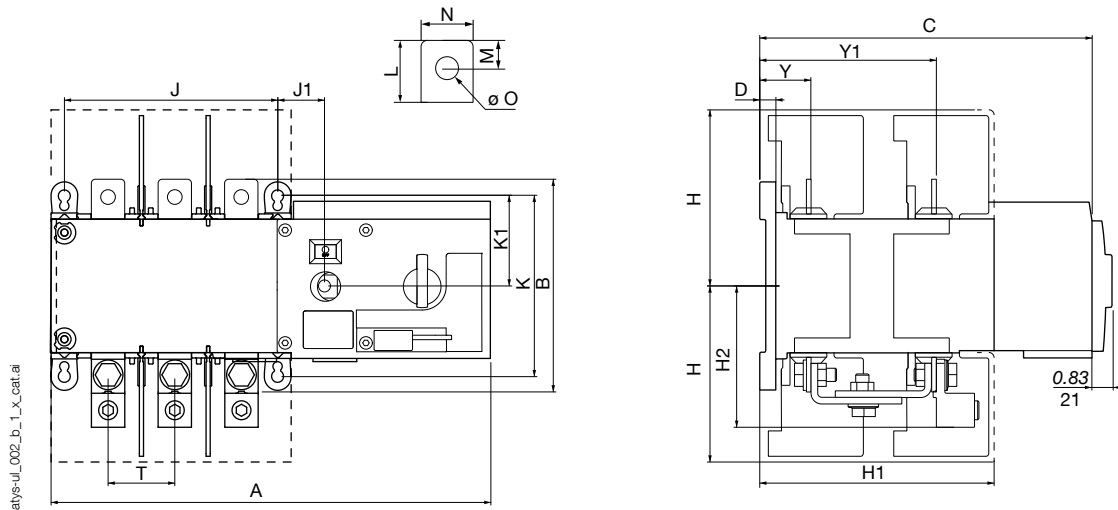
# ATyS UL1008

Remotely operated transfer switching equipment  
from 100 to 1200 A

## Dimensions (in/mm)

100 to 400 A / B4 - B5

### Transfer switch dimensions

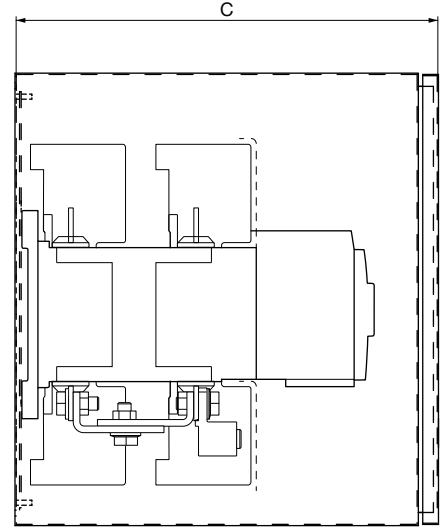
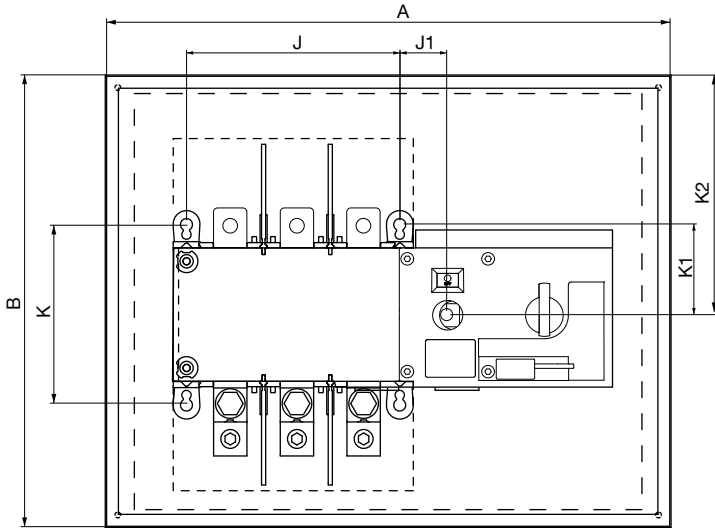


| Rating (A) | Frame size | Reference             | No. of poles | A     |     | B     |     | C     |       | D    |      | H    |     | H1   |       | H2   |     | Y    |      | Y1   |       |  |
|------------|------------|-----------------------|--------------|-------|-----|-------|-----|-------|-------|------|------|------|-----|------|-------|------|-----|------|------|------|-------|--|
|            |            |                       |              | in    | mm  | in    | mm  | in    | mm    | in   | mm   | in   | mm  | in   | mm    | in   | mm  | in   | mm   | in   | mm    |  |
| 100 - 200  | B4         | 9723 2010 - 9723 2020 | 2 P          | 12.91 | 328 | 6.30  | 160 | 9.60  | 244   | 0.41 | 10.5 | 5.08 | 129 | 6.93 | 176   | 4.21 | 107 | 1.51 | 38.5 | 5.21 | 132.5 |  |
|            |            | 9723 3010 - 9723 3020 | 3 P          |       |     |       |     |       |       |      |      |      |     |      |       |      |     |      |      |      |       |  |
|            |            | 9723 4010 - 9723 4020 | 4 P          | 14.88 | 378 |       |     |       |       |      |      |      |     |      |       |      |     |      |      |      |       |  |
| 260 - 400  | B5         | 9723 2026 - 9723 2040 | 2 P          | 14.84 | 377 |       |     |       |       |      |      |      |     |      |       |      |     |      |      |      |       |  |
|            |            | 9723 3026 - 9723 3040 | 3 P          |       |     | 10.23 | 260 | 12.62 | 320.5 | 0.41 | 10.5 | 8    | 203 | 6.51 | 165.5 | 6.53 | 166 | 2.04 | 52   | 7.48 | 190   |  |
|            |            | 9723 4026 - 9723 4040 | 4 P          | 17.20 | 437 |       |     |       |       |      |      |      |     |      |       |      |     |      |      |      |       |  |

| Rating (A) | Frame size | Reference             | No. of poles | J     |     | J1   |    | K    |     | K1   |      | L    |    | M    |      | N    |    | O    |    | T   |    |  |
|------------|------------|-----------------------|--------------|-------|-----|------|----|------|-----|------|------|------|----|------|------|------|----|------|----|-----|----|--|
|            |            |                       |              | in    | mm  | in   | mm | in   | mm  | in   | mm   | in   | mm | in   | mm   | in   | mm | in   | mm | in  | mm |  |
| 100 - 200  | B4         | 9723 2010 - 9723 2020 | 2 P          | 6.30  | 160 | 1.37 | 35 | 7.67 | 195 | 3.84 | 97.5 | 1.18 | 30 | 0.53 | 13.3 | 0.98 | 25 | 0.43 | 11 | 2   | 50 |  |
|            |            | 9723 3010 - 9723 3020 | 3 P          |       |     |      |    |      |     |      |      |      |    |      |      |      |    |      |    |     |    |  |
|            |            | 9723 4010 - 9723 4020 | 4 P          | 8.26  | 210 |      |    |      |     |      |      |      |    |      |      |      |    |      |    |     |    |  |
| 260 - 400  | B5         | 9723 2026 - 9723 2040 | 2 P          | 8.26  | 210 |      |    |      |     |      |      |      |    |      |      |      |    |      |    |     |    |  |
|            |            | 9723 3026 - 9723 3040 | 3 P          |       |     | 1.37 | 35 | 7.67 | 195 | 3.84 | 97.5 | 1.96 | 50 | 0.49 | 20   | 1.38 | 45 | 0.51 | 13 | 2.6 | 65 |  |
|            |            | 9723 4026 - 9723 4040 | 4 P          | 10.63 | 270 |      |    |      |     |      |      |      |    |      |      |      |    |      |    |     |    |  |

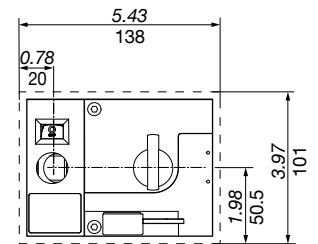
100 to 400 A / B4 - B5

Minimum enclosure dimensions



atyS-ul\_009\_b\_1\_x\_cat.ai

Door cut-out for front panel



atyS-ul\_017\_s\_1\_x\_cat.ai

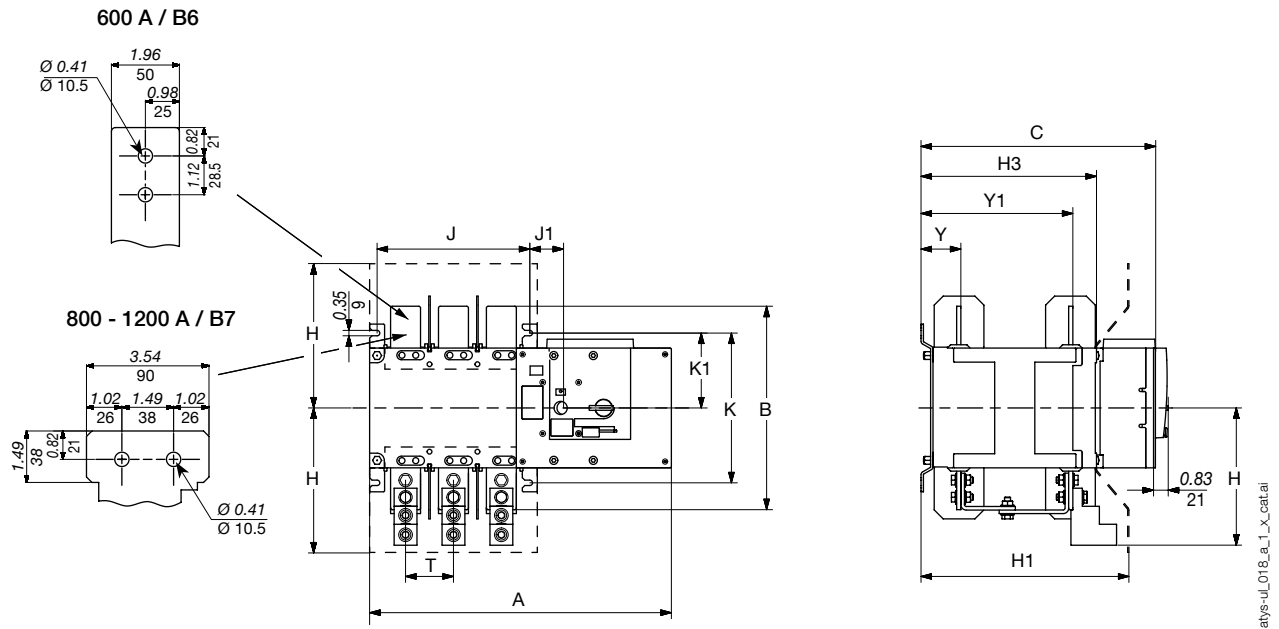
| Rating (A) | Frame size | Reference             | No. of poles | A  |     | B  |     | C  |     | J     |     | J1   |    | K    |     | K1   |      | K2 |     |
|------------|------------|-----------------------|--------------|----|-----|----|-----|----|-----|-------|-----|------|----|------|-----|------|------|----|-----|
|            |            |                       |              | in | mm  | in | mm  | in | mm  | in    | mm  | in   | mm | in   | mm  | in   | mm   | in | mm  |
| 100 - 200  | B4         | 9723 2010 - 9723 2020 | 2 P          | 24 | 610 | 24 | 610 | 12 | 305 | 6.30  | 160 | 1.37 | 35 | 7.67 | 195 | 2.67 | 68   | 12 | 305 |
|            |            | 9723 3010 - 9723 3020 | 3 P          |    |     |    |     |    |     | 8.26  | 210 |      |    |      |     |      |      |    |     |
| 260 - 400  | B5         | 9723 2026 - 9723 2040 | 2 P          |    |     |    |     |    |     | 8.26  | 210 | 1.37 | 35 | 7.67 | 195 | 3.84 | 97.5 | 15 | 381 |
|            |            | 9723 3026 - 9723 3040 | 3 P          | 32 | 813 | 32 | 813 | 16 | 406 |       |     |      |    |      |     |      |      |    |     |
|            |            | 9723 4026 - 9723 4040 | 4 P          |    |     |    |     |    |     | 10.63 | 270 |      |    |      |     |      |      |    |     |



## Dimensions (in/mm) (continued)

600 to 1200 A / B6 - B7

### Transfer switch dimensions

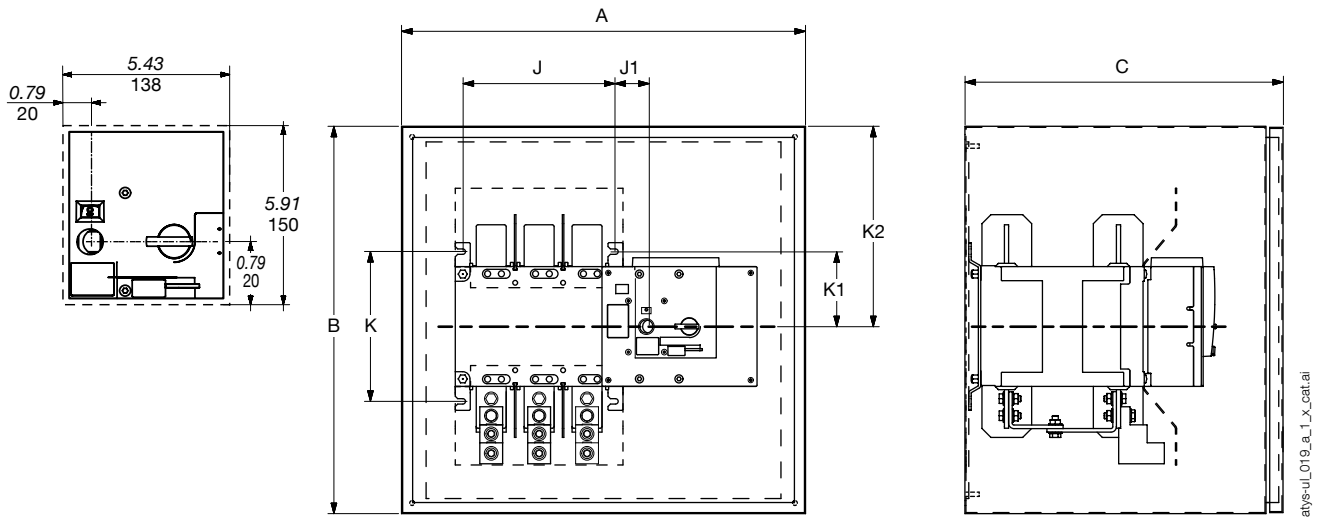


| Rating (A) | Frame size | Reference             | No. of poles | A     |     | B     |     | C    |     | H    |     | H1   |     | H2   |     | H3   |     |
|------------|------------|-----------------------|--------------|-------|-----|-------|-----|------|-----|------|-----|------|-----|------|-----|------|-----|
|            |            |                       |              | in    | mm  | in    | mm  | in   | mm  | in   | mm  | in   | mm  | in   | mm  | in   | mm  |
| 600        | B6         | 9723 3060             | 3 P          | 19.8  | 504 | 13.38 | 340 | 15.4 | 392 | 9.09 | 231 | 13.7 | 347 | 9.05 | 230 | 11.5 | 293 |
|            |            | 9723 4060             | 4 P          | 22.99 | 584 |       |     |      |     |      |     |      |     |      |     |      |     |
| 800 - 1200 | B7         | 9723 3080 - 9723 3120 | 3 P          | 23.5  | 596 | 11.34 | 288 | 15.4 | 392 | 8.30 | 211 | 13.7 | 347 | 8.03 | 204 | 11.5 | 293 |
|            |            | 9723 4080 - 9723 4120 | 4 P          | 28.2  | 716 |       |     |      |     |      |     |      |     |      |     |      |     |

| Rating (A) | Frame size | Reference             | No. of poles | J    |     | J1   |      | K    |     | K1   |     | T    |     | Y    |      | Y1   |     |
|------------|------------|-----------------------|--------------|------|-----|------|------|------|-----|------|-----|------|-----|------|------|------|-----|
|            |            |                       |              | in   | mm  | in   | mm   | in   | mm  | in   | mm  | in   | mm  | in   | mm   | in   | mm  |
| 600        | B6         | 9723 3060             | 3 P          | 10   | 255 | 2.02 | 51.5 | 9.84 | 250 | 4.92 | 125 | 3.15 | 80  | 2.61 | 66.5 | 9.98 | 254 |
|            |            | 9723 4060             | 4 P          | 13.2 | 335 |      |      |      |     |      |     |      |     |      |      |      |     |
| 800 - 1200 | B7         | 9723 3080 - 9723 3120 | 3 P          | 13.7 | 347 | 2.02 | 51.5 | 9.84 | 250 | 4.92 | 125 | 4.72 | 120 | 2.65 | 67.7 | 9.98 | 254 |
|            |            | 9723 4080 - 9723 4120 | 4 P          | 18.4 | 467 |      |      |      |     |      |     |      |     |      |      |      |     |

## 600 to 1200 A / B6 - B7

### Minimum enclosure dimensions



atys-ul1018\_a\_1\_x\_cat.ai

| Rating (A) | Frame size | Reference             | No. of poles | A  |     | B  |      | C  |     | J     |     | J1   |      | K    |     | K1   |     | K2 |     |
|------------|------------|-----------------------|--------------|----|-----|----|------|----|-----|-------|-----|------|------|------|-----|------|-----|----|-----|
|            |            |                       |              | in | mm  | in | mm   | in | mm  | in    | mm  | in   | mm   | in   | mm  | in   | mm  | in | mm  |
| 600        | B6         | 9723 3060             | 3 P          | 36 | 915 | 48 | 1220 | 20 | 508 | 10.04 | 255 | 2.02 | 51.5 | 9.84 | 250 | 4.92 | 125 | 24 | 610 |
|            |            | 9723 4060             | 4 P          |    |     |    |      |    |     | 12.18 | 355 |      |      |      |     |      |     |    |     |
| 800 - 1200 | B7         | 9723 3080 - 9723 3120 | 3 P          | 36 | 915 | 60 | 1524 | 20 | 508 | 13.66 | 347 | 2.02 | 51.5 | 9.84 | 250 | 4.92 | 125 | 30 | 762 |
|            |            | 9723 4080 - 9723 4120 | 4 P          |    |     |    |      |    |     | 18.38 | 467 |      |      |      |     |      |     |    |     |